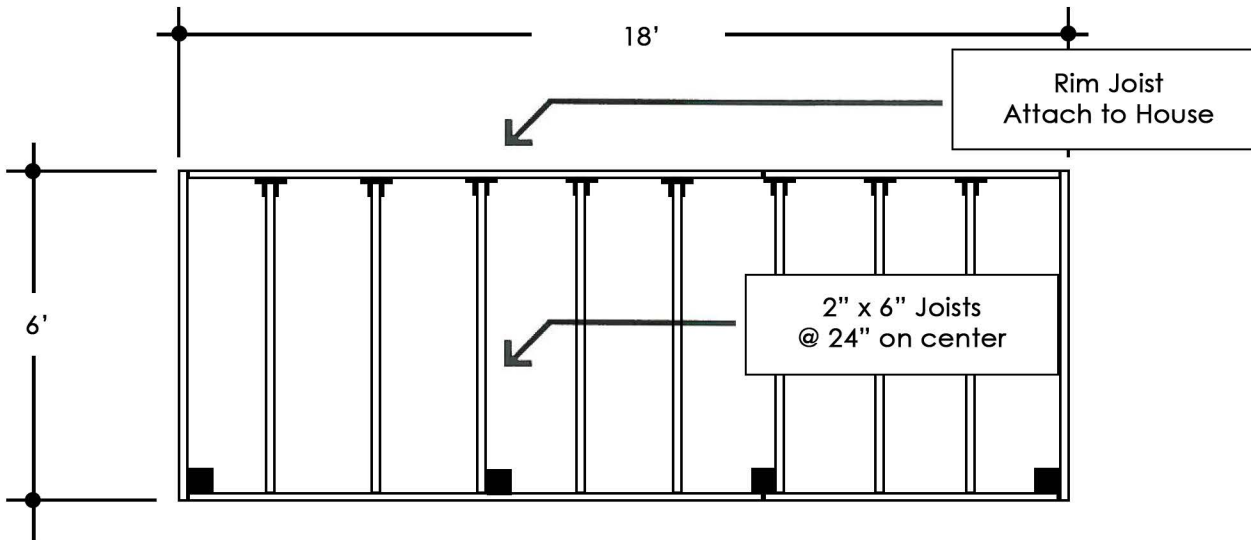


# 18'x6'

## Deck Package

### 2" Decking



Deck Framing Layout

SYMBOLS	
	-- Joist Hanger
	-- 4" x 4" Post

## MATERIAL LIST

<input type="checkbox"/>	10 - 2" x 4" x 4' Decking	Please Check One
	10 - 2" x 4" x 6' Decking	
	20 - 2" x 4" x 8' Decking	
	10 - 2" x 4" x 10' Decking	
	7.5 lb - #16 Casing Nails	
<input type="checkbox"/>	6 - 2" x 6" x 4' Decking	Please Check One
	6 - 2" x 6" x 6' Decking	
	13 - 2" x 6" x 8' Decking	
	7 - 2" x 6" x 10' Decking	
	4.5 lb - #16 Casing Nails	

- 12 2"x6"x6' P.T. Fir
- 2 2"x6"x12' P.T. Fir
- 8 2"x6" Joist Hangers
- 4 4"x4"x2' P.T. Fir
- 2 bg Concrete, Pre-mix
- 1.5 lb #16 Box Nails
- 1 lb Teco Nails (for Joist Hgr)

8'		10'	
4'	8'	6'	
8'		10'	
4'	8'	6'	

Deck Surface Pattern

See Deck Brochure for Complete Installation Instructions

**RICK'S**  
**CUSTOM FENCING & DECKING**  
[www.RicksFencing.com](http://www.RicksFencing.com)

HILLSBORO (503) 640-5434  
 GRESHAM (503) 669-0795  
 SALEM (503) 463-8331  
 VANCOUVER (360) 253-3792  
 TRI-CITIES (509) 736-3325